

**DIAGRAM "B1B"**

WDG	VOLTS	LINE
PRI	480	H1-H2-H3
	456	H4-H5-H6
	432	H7-H8-H9

Three phase 3 wire to three phase 3 wire

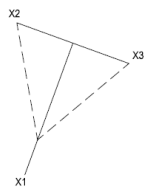
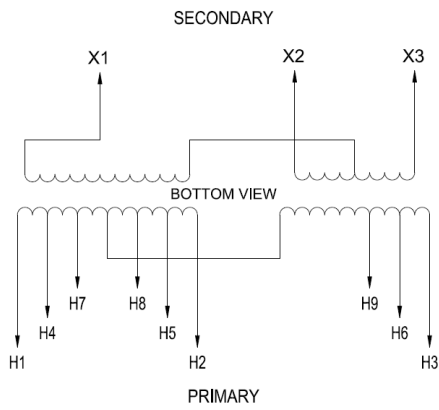
**DIAGRAM "C1C"**

WDG	VOLTS	LINE
PRI	480	H1-H2-H3
	468	H4-H5-H6
	456	H7-H8-H9
	444	H10-H11-H12
	432	H13-H14-H15

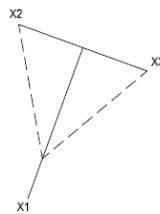
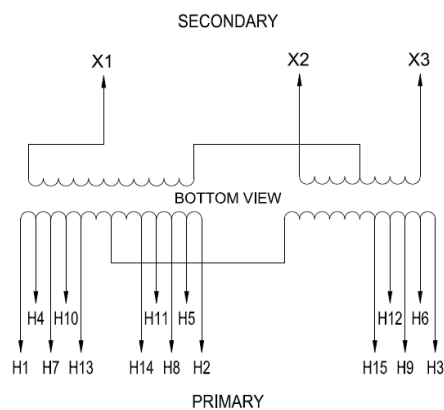
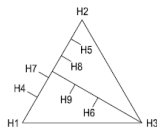
Three phase 3 wire to three phase 3 wire

**DIAGRAM "D1D"**

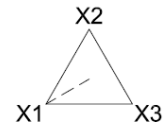
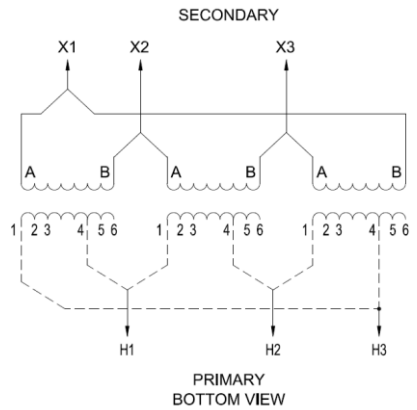
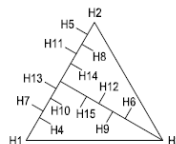
VOLTS	CONNECT	LINE
504	1-6	H1-H2-H3
492	1-5	
480	1-4	
468	2-5	
456	2-4	
444	3-5	
432	3-4	



POLARITY



POLARITY



POLARITY

